



Product Type: LYH/FX-8,LYH/FX-8S,LXS/FX-15C&E~50C&E,
LXSC/FX-15E-50E,LXL/FX-80C~200C
ELECTRONIC REMOTE-READING WATER METER

APPLICATION:

This range of water meter is used to measure the water which consumed in household or a residence unit, passing through pipeline As equipped with a built-in sensor, it can be used for a remote reading transmission system ,

FEATURE:

1. Selected sensitive reed-type pluses
2. Resistance to interference
3. Keep its fundamental function as standard meter
4. Consumption can be collected by remote transit with accurate and reliable reading
5. Can be connected with computer , for management,

OPERATING CONDITIONS:

Water temperature $\leq +40^{\circ}\text{C}$

Water pressure $\leq 1\text{MPa}$

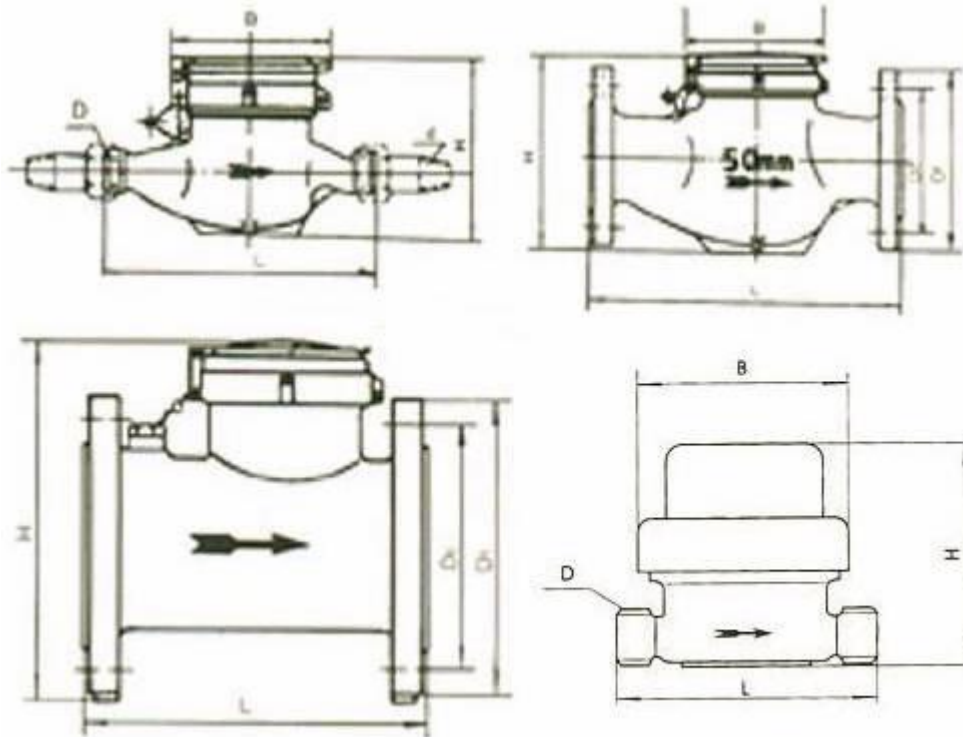
LIMITS OF INDICATION ERROR:

For the low region from minimum flow inclusive(q_{\min})to boundary flow exclusive(q_t): $\pm 5\%$,

For the high region from boundary flow inclusive(q_t)to overload flow inclusive(q_s): $\pm 2\%$.

Size	Class	Qs Max. Flow	Qp Nominal Flow	Qt Transitional Flow	Qmin Min. Flow	Min. Reading	Max. Reading
mm		m ³ /h				m ³	
15	A	3	1.5	0.15	0.060	0.000005	9.999
	B			0.12	0.030		
20	A	5	2.5	0.25	0.100	0.000005	9.999
	B			0.20	0.050		
25	A	7	3.5	0.35	0.140	0.000005	9.999
	B			0.28	0.070		
32	A	12	6.0	0.60	0.240	0.000005	9.999
	B			0.48	0.120		
40	A	20	10	1.00	0.400	0.000005	99.999
	B			0.80	0.200		
50	A	30	15	4.50	1.200	0.000005	99.999
	B			3.00	0.450		
80	A	80	40	12.0	3.2	0.01	999.999
	B			8.0	1.2		
100	A	120	60	18.0	4.8	0.01	999.999
	B			12.0	1.8		
150	A	300	150	45.0	12.0	0.1	9.999.999
	B			30.0	4.5		
200	A	500	250	75.0	2.0	0.1	9.999.999
	B			50.0	7.5		

Type	Qs max. Flow	Qp Nominal Flow	Qt Transitional Flow	Qmin Min Flow	Start-up Flow	Min. Reading	Max. Reading
	L/H					L	
LYH-8	600	300	22.5	12.5	≤2	0.005	999.999



Si ze	Length	Width	Height	Connecti ng Thread	
mm	mm			D	d
15	165	99	104	G3/4B	R½
20	195	99	106	G1B	R¾
25	225	104	117	G1¼B	R1
32	230	104	117	G1½B	R1¼
40	245	125	147	G2B	R1½
50	280	125	174	D1=160 D2=125 4-m16	

Si ze	Length	Height	Connecti ng flange		
mm	mm		Outer Dia D1	Bol t Circl e Dia D2	Connecti ng Bolt Dia pcs
80	250	243	200	160	4-m16
100	250	253	220	180	8-m16
150	300	311	285	284	8-m20
200	350	365	384	295	8-m20

Type	Length	Width	Height	Connecti ng Wh orl	Weight
	mm			D	kg
LYH-8	110	82	91	G3/4B	0.89
LYH-8S	100	82	91	G3/4B	0.39